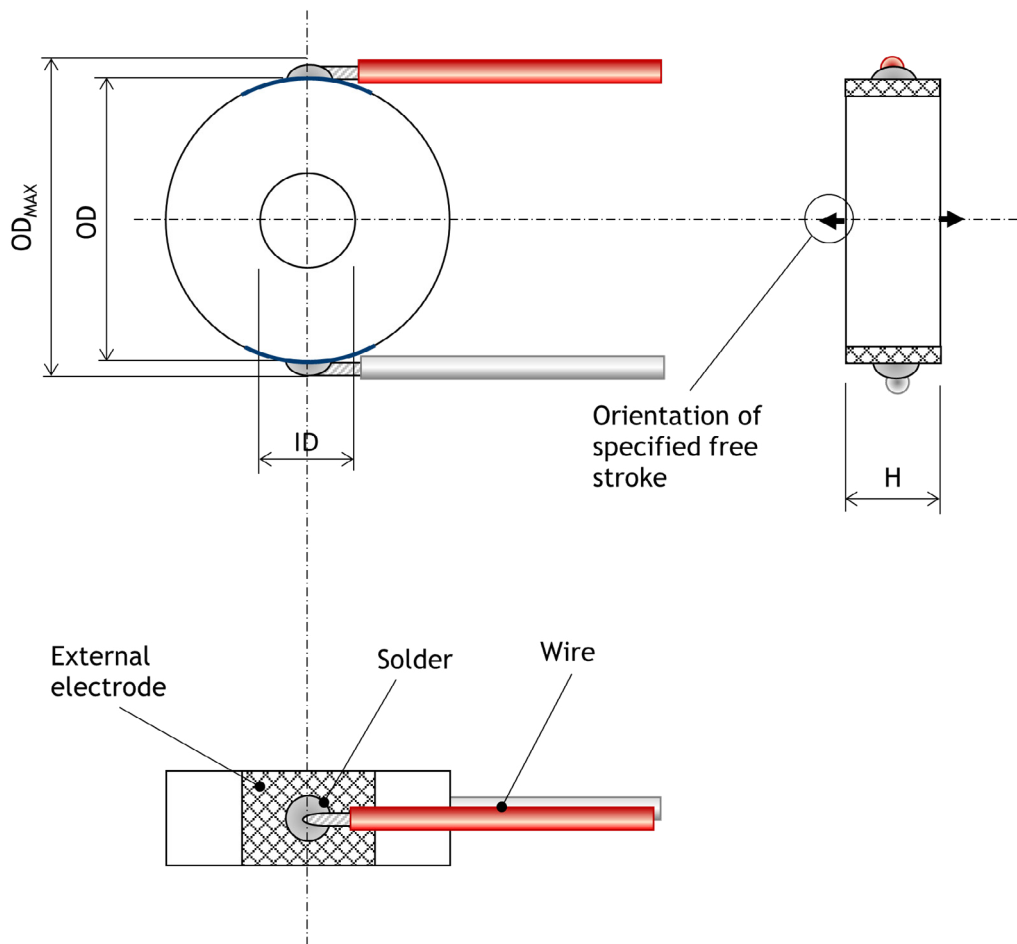


Piezoelectric Multilayer Ring Actuator

Technical Drawings



Wiring for Ring Actuators	
Wire Type	MIL-W-16878/4, 28 AWG, 7 Strands
Length	200mm +/-10mm
Position	Middle of the Actuator